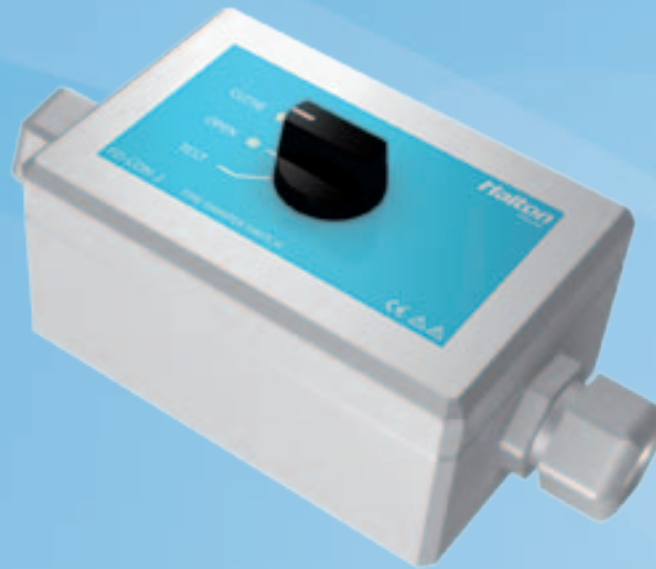


FD-CON-2

Fire Damper Control Unit

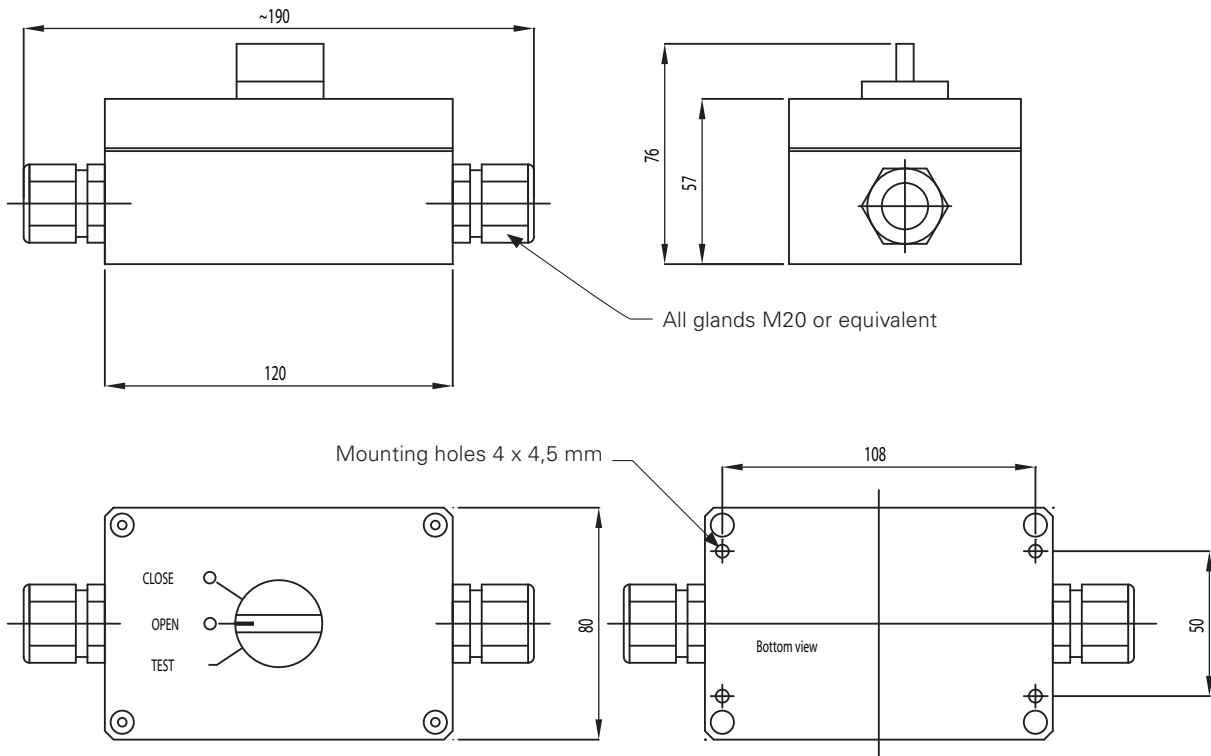


The FD-CON-2 fire damper switch is a control unit for Halton fire dampers. The control unit is installed near the damper in a place where personnel has easy and logical access to it. Two or more FD-CON-2 units can be connected in series. This allows the damper to be locally controlled from both sides of the bulkhead or deck as per SOLAS regulation.

The FD-CON-2 is mainly intended for electrically operated dampers, but it can also be used for pneumatic dampers. In this case the FD-CON-2 unit controls the solenoid valve that controls the supply air to the damper actuator.

- Single or multiple controllers per damper with Master/Slave configuration
- LED lights indicate the damper OPEN / CLOSED positions
- LED test functionality
- Configuration-free operation voltage selection
- Acceptable operating voltage range: 18 - 28 VDC / 18 - 253 VAC 50/60Hz
- Simple wiring with numbered screw terminals
- IP67 ABS box with M20 or equivalent cable glands
- Easy jumper-based configuration for master/slave setting
- Preconfigured per client specification on delivery
- CE certified product

DIMENSIONS



CONTROLLER SETUP, ELECTRICAL DAMPERS

